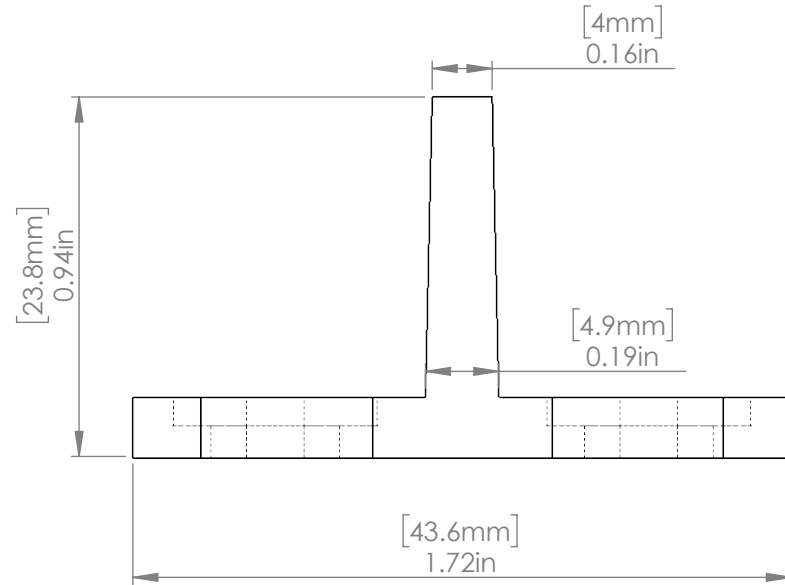
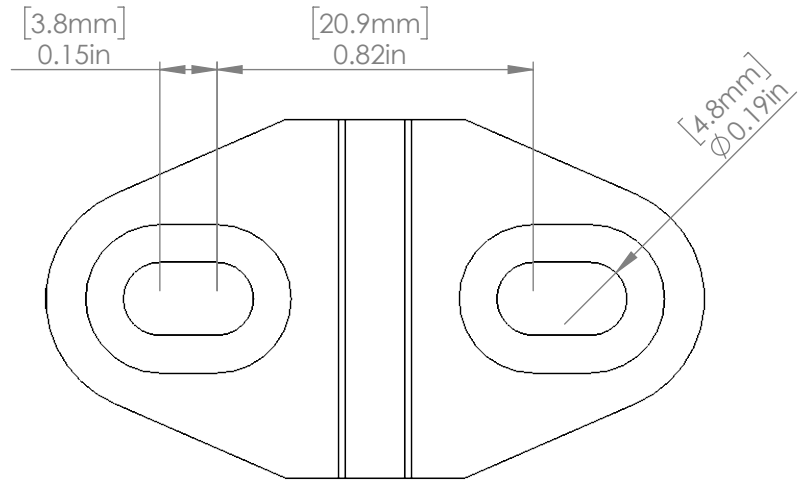
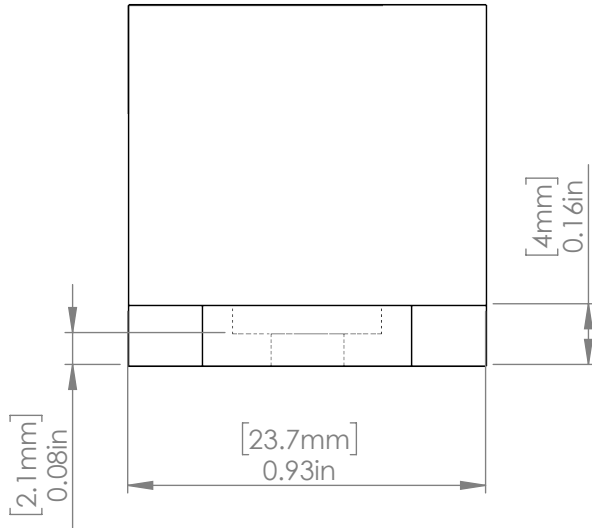
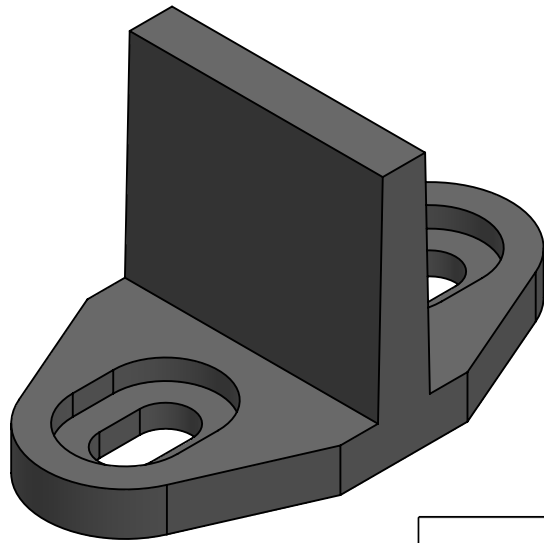


510-FLOOR GUIDE



B

B

A

A

\\WBM\GLOBAL\Users\jfd\510-FLOOR GUIDE

PROPRIETARY AND CONFIDENTIAL

THE INFORMATION CONTAINED IN THIS DRAWING IS THE SOLE PROPERTY OF AHI HARDWARE. ANY REPRODUCTION IN PART OR AS A WHOLE WITHOUT THE WRITTEN PERMISSION OF AHI HARDWARE IS PROHIBITED.

UNLESS OTHERWISE SPECIFIED:

DIMENSIONS ARE IN INCHES
TOLERANCES:
FRACTIONAL ± 1/4"
ANGULAR: MACH ± 1 BEND ± 1
TWO PLACE DECIMAL ±
THREE PLACE DECIMAL ±

	NAME	DATE
DRAWN	FD	22/01/2018
CHECKED		
ENG APPR.		
MFG APPR.		
Q.A.		
COMMENTS:		

A H I H A R D W A R E

TITLE:
FLOOR GUIDE FOR BARN DOORS

DWG. NO.
510-FLOOR GUIDE

SCALE: 2:1 SHEET 1 OF 1