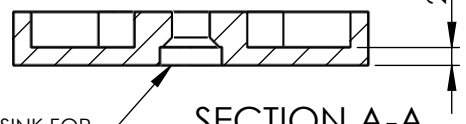
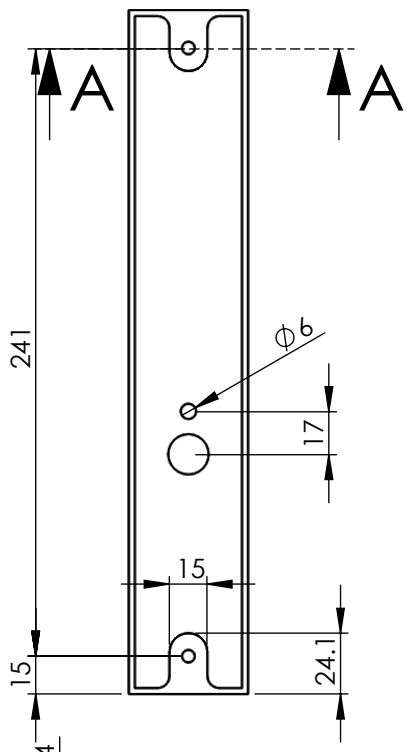
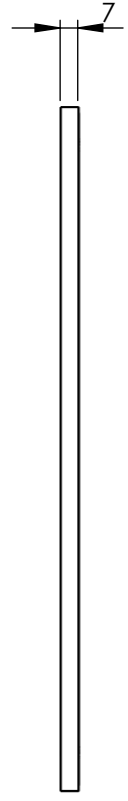
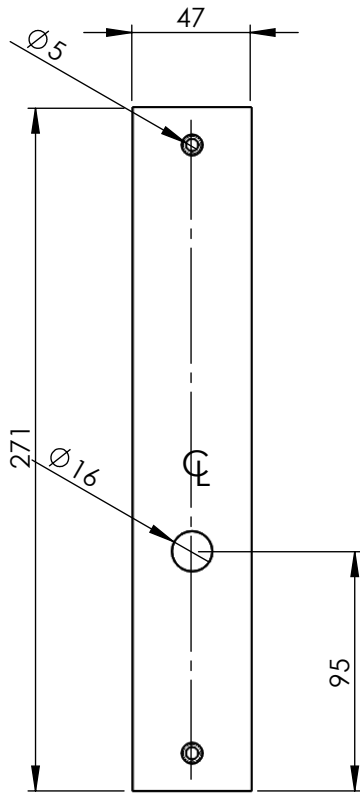
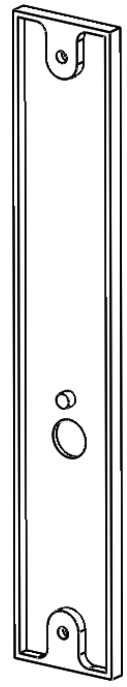


**242-81 BACK**

REVISIONS		
REV.	DESCRIPTION	DATE
01		
02		
03		
04		
05		



COUNTERSINK FOR M5x0.8 SCREW  
**SECTION A-A**  
 SCALE 1 : 1



B

B

A

A

\\WDMYCLOUD\our\AHI\BACK PLATES\242-81

**PROPRIETARY AND CONFIDENTIAL**  
 THE INFORMATION CONTAINED IN THIS DRAWING IS THE SOLE PROPERTY OF AHI HARDWARE. ANY REPRODUCTION IN PART OR AS A WHOLE WITHOUT THE WRITTEN PERMISSION OF AHI HARDWARE IS PROHIBITED.

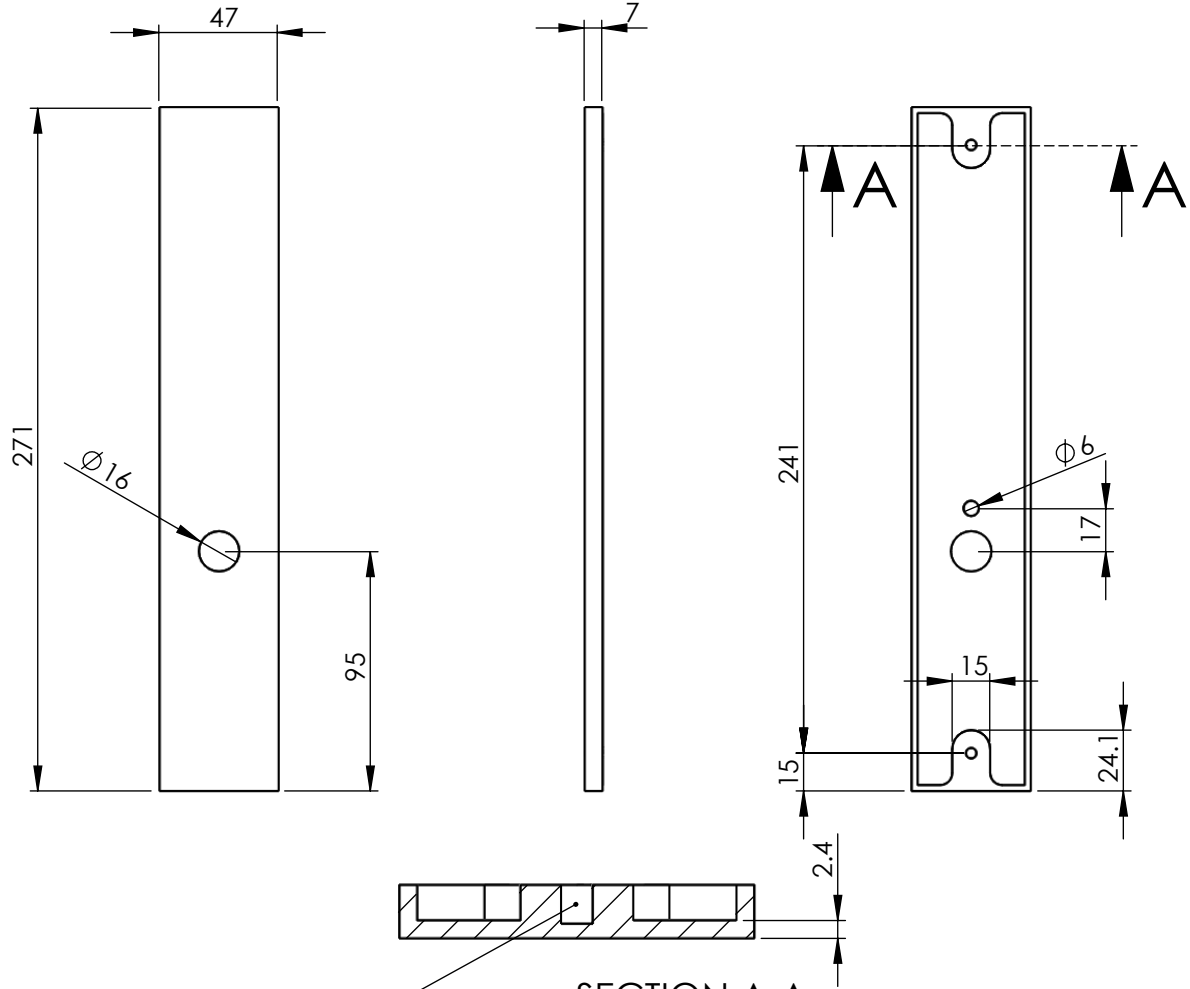
**UNLESS OTHERWISE SPECIFIED:**  
 DIMENSIONS ARE IN mm  
 TOLERANCES:  
 FRACTIONAL  
 ANGULAR: MACH BEND  
 TWO PLACE DECIMAL  
 THREE PLACE DECIMAL

	NAME	DATE
DRAWN	FD	19/09/2017
CHECKED		
ENG APPR.		
MFG APPR.		
Q.A.		
COMMENTS:		

**A H I H A R D W A R E**

<b>TITLE:</b> 242-81	
<b>DWG. NO.</b> 242-81	
<b>SCALE:</b> 1:3	<b>SHEET 1 OF 2</b>

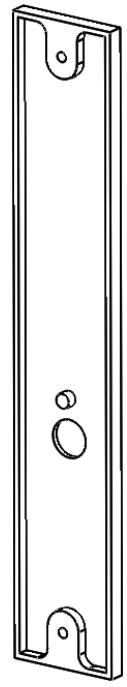
# 242-81 FRONT



TAP M5x0.8

SECTION A-A  
SCALE 1 : 1

REVISIONS		
REV.	DESCRIPTION	DATE
01		
02		
03		
04		
05		



B

B

A

A

\\WDMYCLOUD\our\AH\BACK PLATES\242-81

**PROPRIETARY AND CONFIDENTIAL**  
 THE INFORMATION CONTAINED IN THIS DRAWING IS THE SOLE PROPERTY OF AHI HARDWARE. ANY REPRODUCTION IN PART OR AS A WHOLE WITHOUT THE WRITTEN PERMISSION OF AHI HARDWARE IS PROHIBITED.

**UNLESS OTHERWISE SPECIFIED:**  
 DIMENSIONS ARE IN mm  
 TOLERANCES:  
 FRACTIONAL  
 ANGULAR: MACH BEND  
 TWO PLACE DECIMAL  
 THREE PLACE DECIMAL

	NAME	DATE
DRAWN	FD	19/09/2017
CHECKED		
ENG APPR.		
MFG APPR.		
Q.A.		
COMMENTS:		

**A H I H A R D W A R E**

**TITLE:**  
242-81

**DWG. NO.**  
242-81

**SCALE:** 1:3

**SHEET 2 OF 2**