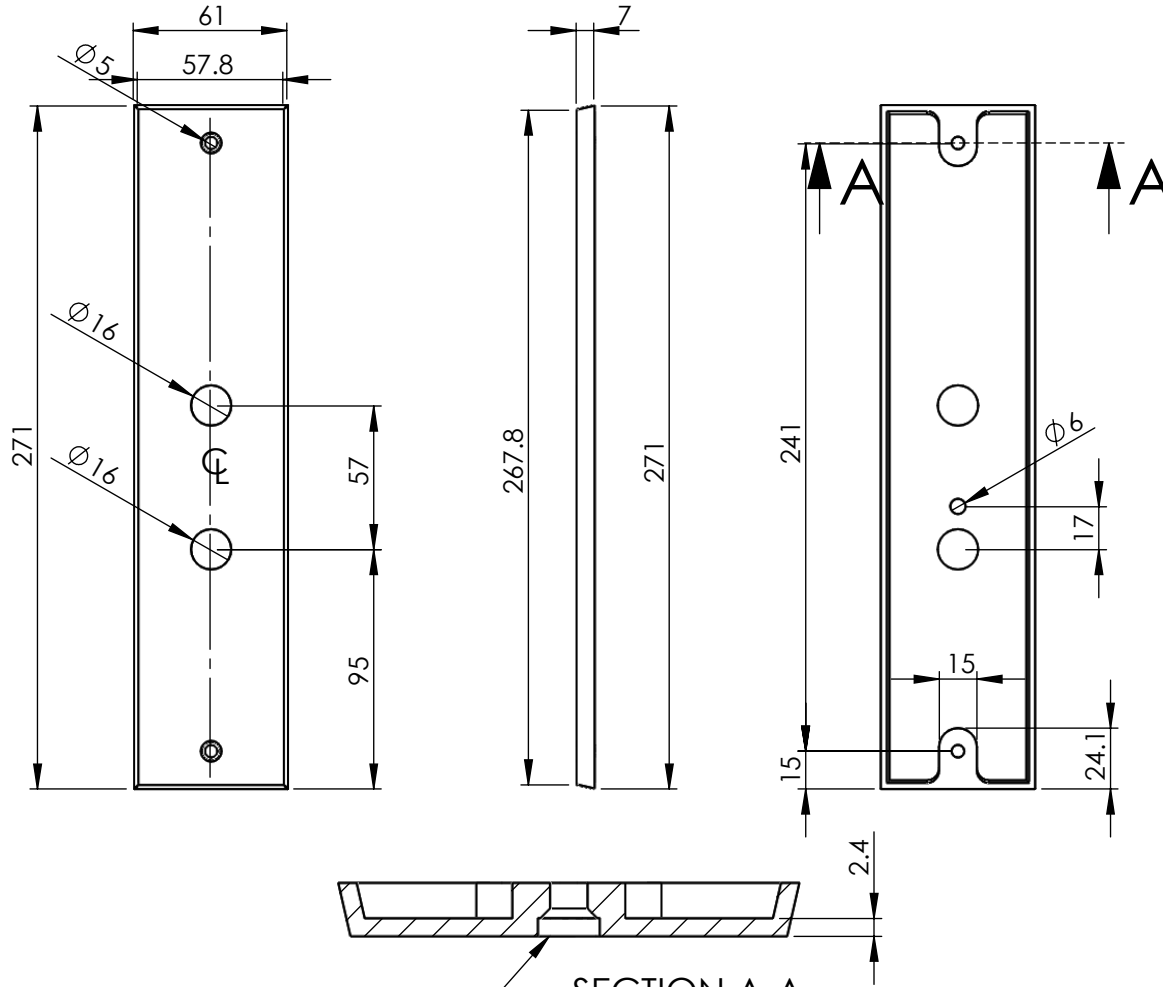


240-84 BACK



COUNTERSINK FOR M5x0.8 SCREW

SECTION A-A
SCALE 1 : 1

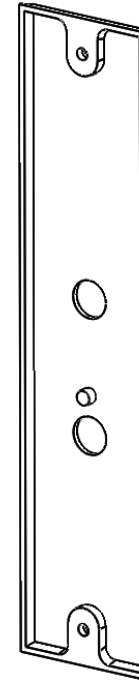
PROPRIETARY AND CONFIDENTIAL

THE INFORMATION CONTAINED IN THIS DRAWING IS THE SOLE PROPERTY OF AHI HARDWARE. ANY REPRODUCTION IN PART OR AS A WHOLE WITHOUT THE WRITTEN PERMISSION OF AHI HARDWARE IS PROHIBITED.

UNLESS OTHERWISE SPECIFIED:

DIMENSIONS ARE IN INCHES
TOLERANCES:
FRACTIONAL $\pm 1/4"$
ANGULAR: MACH ± 1 BEND ± 1
TWO PLACE DECIMAL \pm
THREE PLACE DECIMAL \pm

REVISIONS		
REV.	DESCRIPTION	DATE
01		
02		
03		
04		
05		



	NAME	DATE
DRAWN	FD	19/09/2017
CHECKED		
ENG APPR.		
MFG APPR.		
Q.A.		
COMMENTS:		

A H I H A R D W A R E

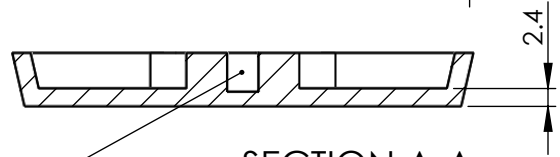
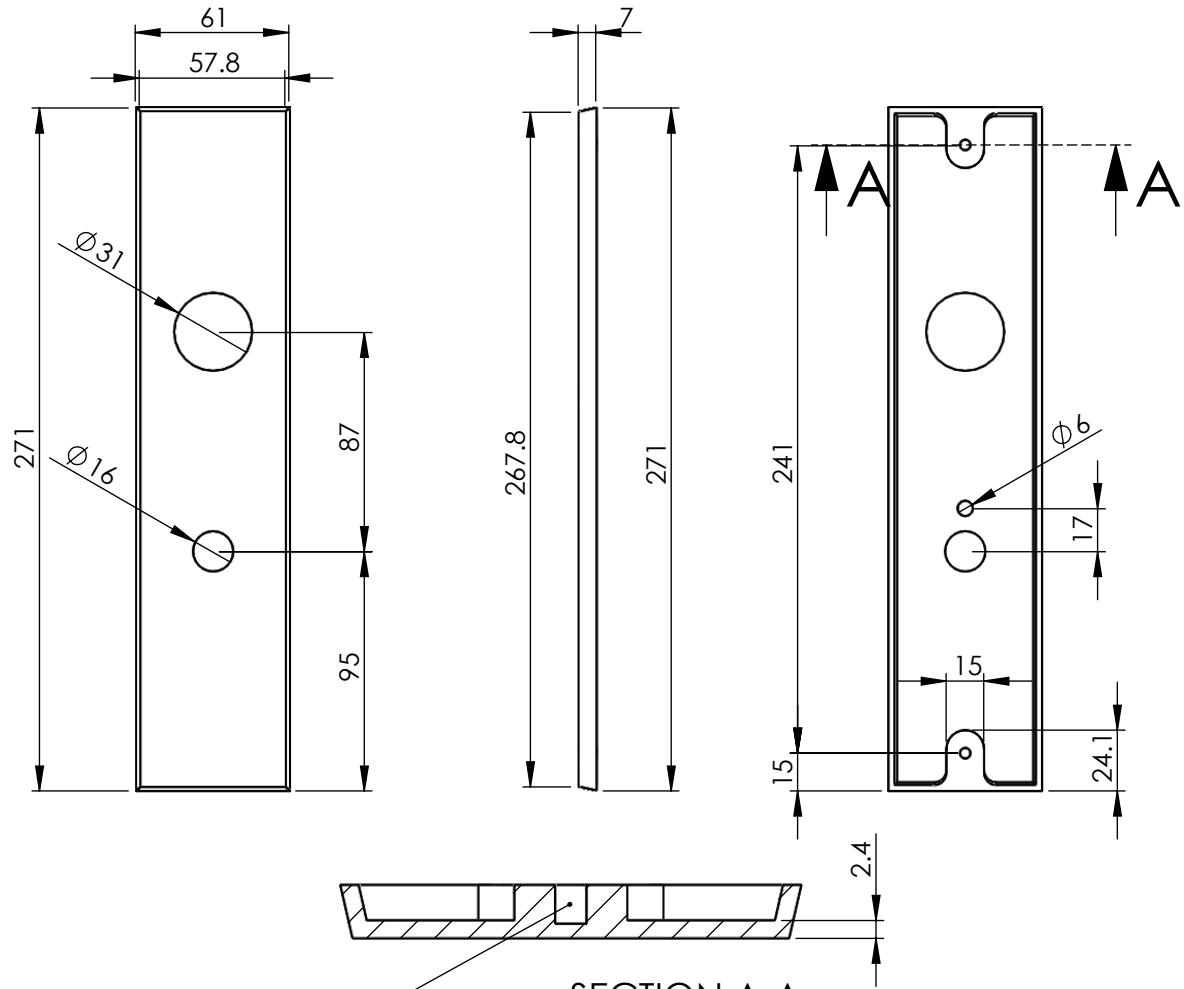
TITLE:
240-84

DWG. NO.
240-84

SCALE: 1:3

SHEET 1 OF 2

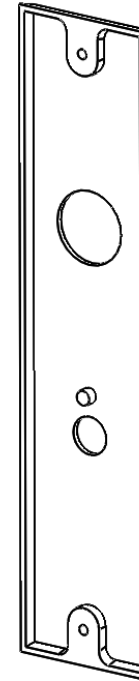
240-84 FRONT



TAP M5x0.8

SECTION A-A
SCALE 1:1

REVISIONS		
REV.	DESCRIPTION	DATE
01		
02		
03		
04		
05		



\\WDMYCLOUD\our\AHI\BACK PLATES\240-84\

PROPRIETARY AND CONFIDENTIAL
 THE INFORMATION CONTAINED IN THIS DRAWING IS THE SOLE PROPERTY OF AHI HARDWARE. ANY REPRODUCTION IN PART OR AS A WHOLE WITHOUT THE WRITTEN PERMISSION OF AHI HARDWARE IS PROHIBITED.

UNLESS OTHERWISE SPECIFIED:

DIMENSIONS ARE IN INCHES
 TOLERANCES:
 FRACTIONAL $\pm 1/4"$
 ANGULAR: MACH ± 1 BEND ± 1
 TWO PLACE DECIMAL \pm
 THREE PLACE DECIMAL \pm

	NAME	DATE
DRAWN	FD	19/09/2017
CHECKED		
ENG APPR.		
MFG APPR.		
Q.A.		
COMMENTS:		

A H I H A R D W A R E

TITLE:
240-84

DWG. NO.
240-84

SCALE: 1:3 **SHEET 2 OF 2**