

Installation guide for tubular latch - Passage

Step 1:

- Orient the latch (1) so that the arrow points up.
- Rotate the latch bolt to adjust for the right or left-hand door.


Step 2:

- Insert the latch (1) into the faceplate, twist the faceplate on the latch to lock it.
- Install the latch and faceplate into the edge of the door and tighten both face plate screws


Step 3:

- Install ASA strike (3) and Dust box (4) into frame.

Step 4:

- Insert the sub-rose (5) into the 2 1/8" hole respecting the orientation shown in the image. Insert screws into sub-rose, however,  **DO NOT** tighten.
- Insert the spindle (4) orienting the thin wall downwards, then place the levers (8) onto the spindle but do not tighten the lever set screw, the assembly will now be lined up.
- Tighten the sub-rose screws then remove the levers.

Step 5:

- Snap the metal cap onto both sides of the sub-rose  paying attention to line up the tab on the sub-rose with the slot in the rose.

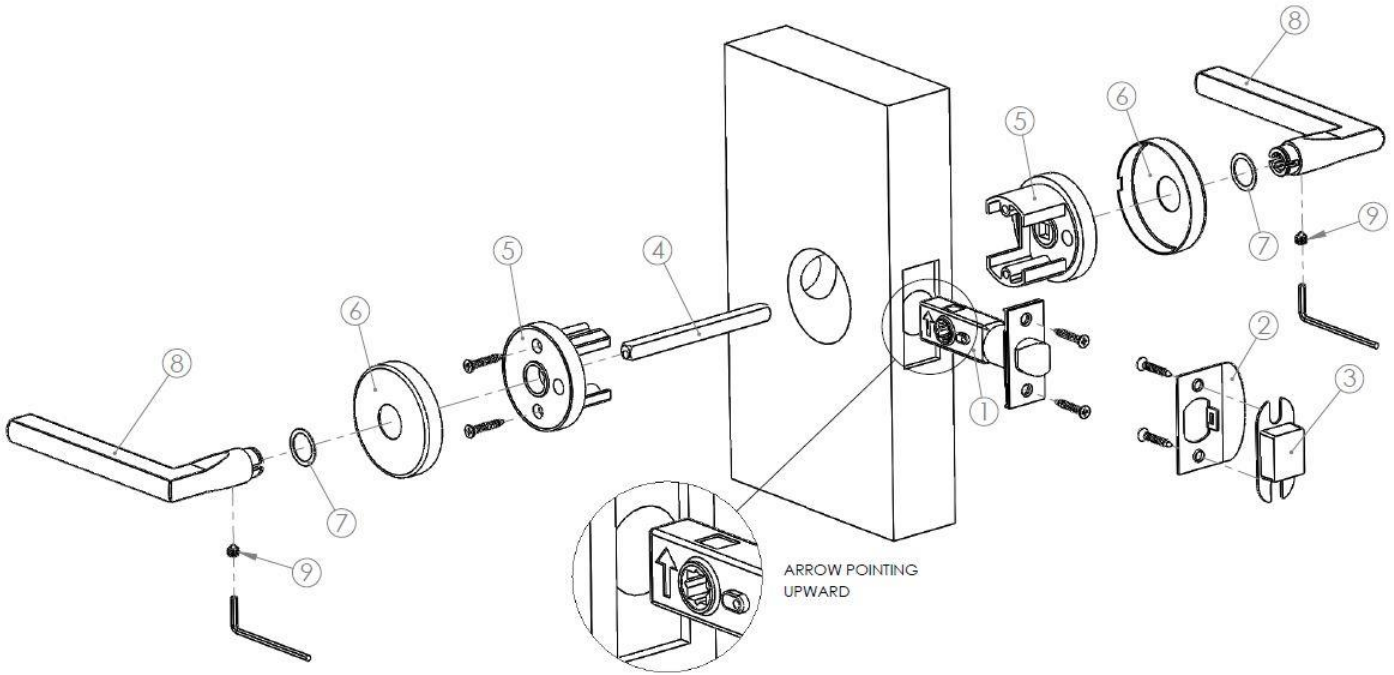
FOR THE SQUARE ROSE

- Place the square rose (6) on the spindle followed by the lever
- Once the lever(8) and rose are in position, take a carpenter's square and make sure that the rose (6) is square with the door edge.
- With the rose perfectly squared, apply a little pressure to the rose so that the tacks leave small marks on the door.
- Remove the lever and rose, and drill the marked sports – this will allow the tacks to penetrate the door without bending. Use a drill bit size which is slightly smaller than the diameter of the tack.
- Once the holes are drilled, replace the rose and press it firmly into place. If necessary, gently tap the rose with a soft mallet.
- Attach the lever and secure it in place by tightening the set screw. Remember to refer to the grub screw (9) instructions - to properly attach the lever, the set screw must pierce the spindle

Step 6:

- Place the levers (8) on each side of the spindle (4) and tighten each set screw until it pierces the thin wall side of the spindle. **Note** that the spindle **MUST** be installed such that the lever's grub screw (9) aligns with the THIN WALL SIDE of the spindle
- After piercing the spindle, keep tightening the set screw until it is firmly tightened.

TUBULAR LATCH / PASSAGE



- | | |
|-------------------|--------------------|
| 01- TUBULAR LATCH | 06- ROSE |
| 02- D-STRIKE | 07- PLASTIC WASHER |
| 03- DUST BOX | 08- LEVER |
| 04- SOLID SPINDLE | 09- GRUB SCREW |
| 05- SUBROSE | |

*FOR ILLUSTRATION PURPOSE ONLY
 *MODEL SHOWN: 110/201PA/TL0625 or TL0725

